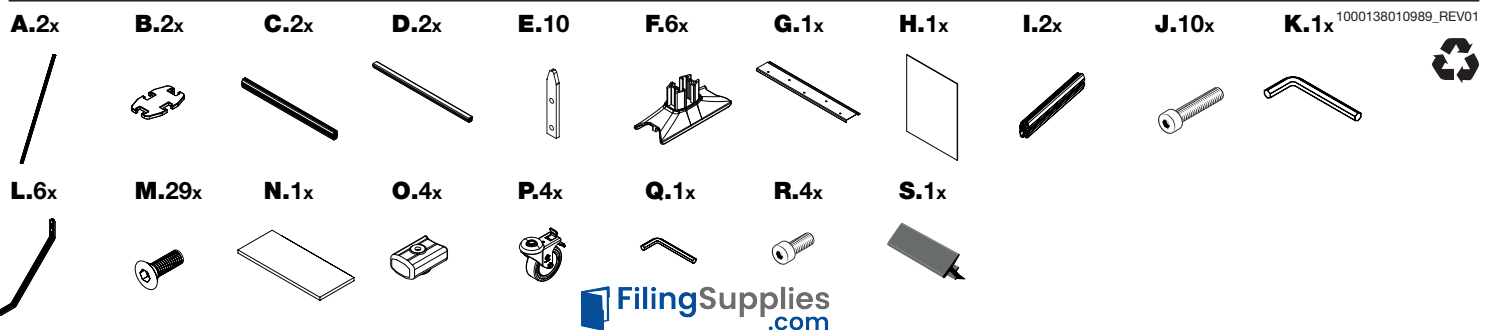
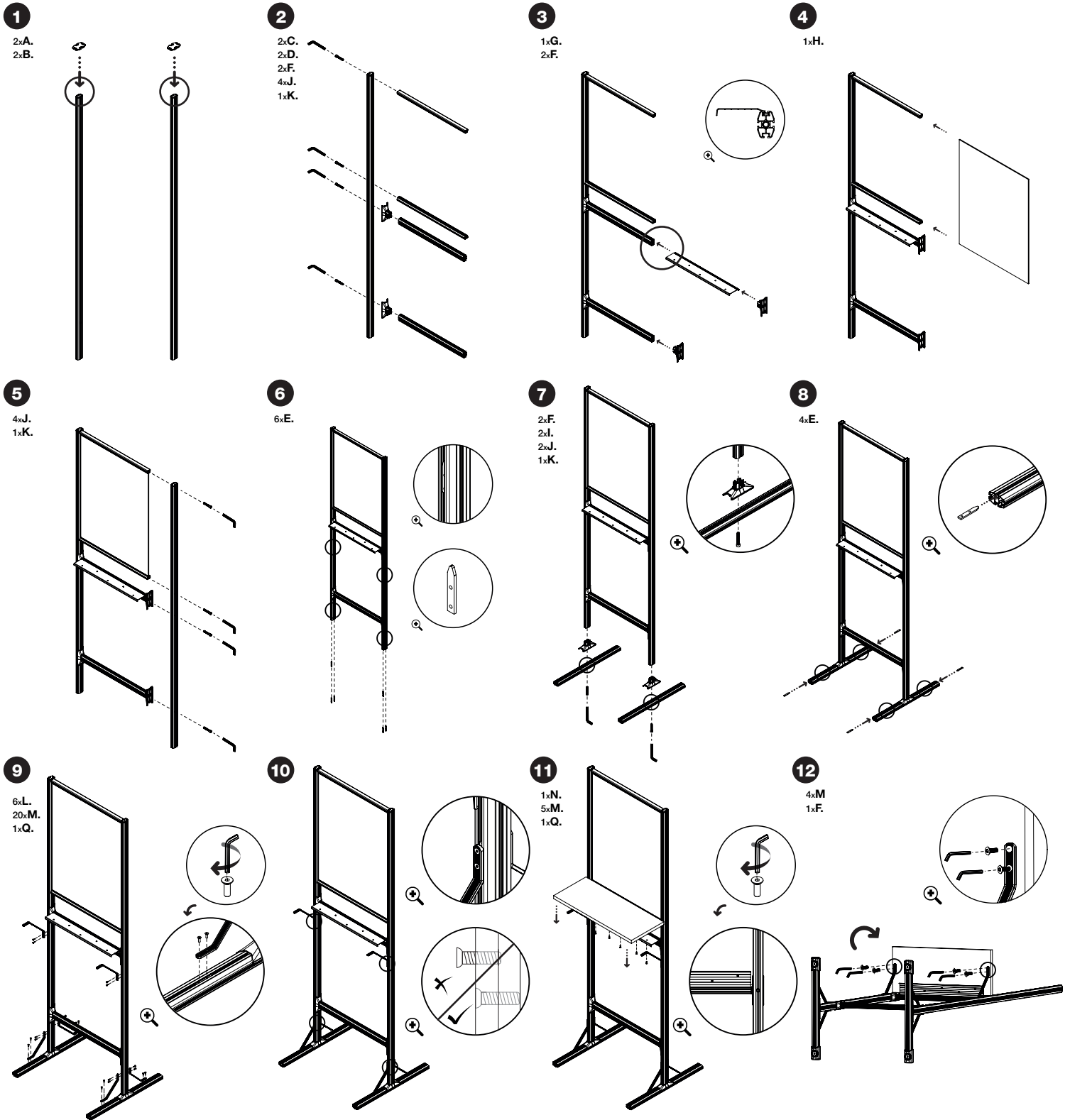


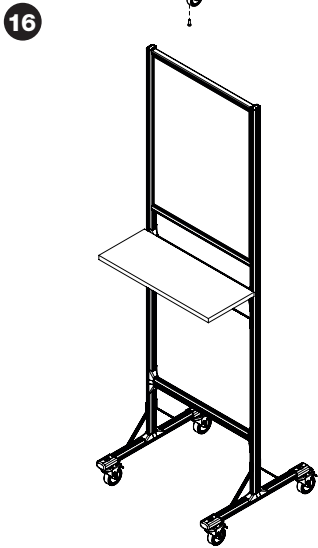
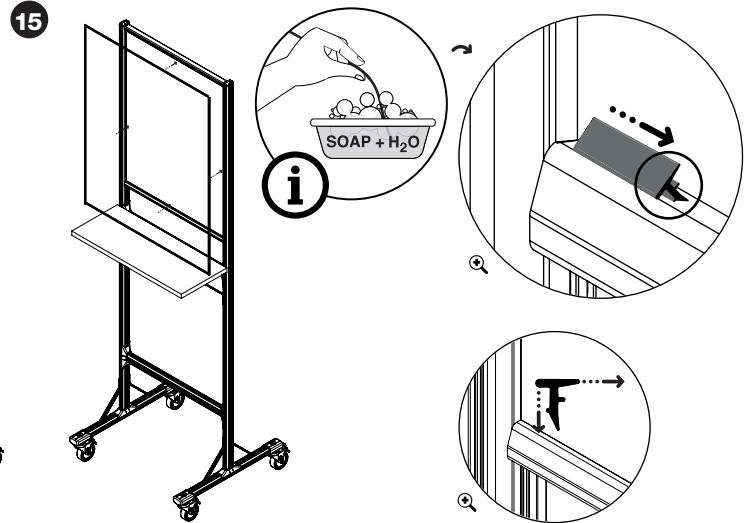
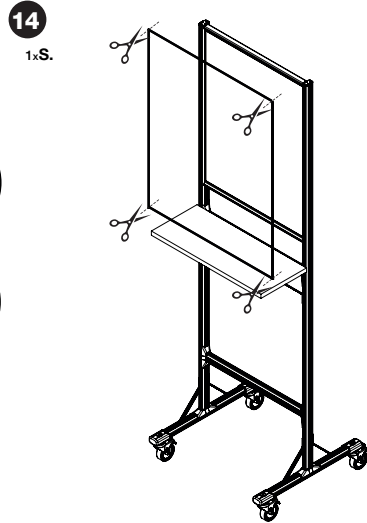
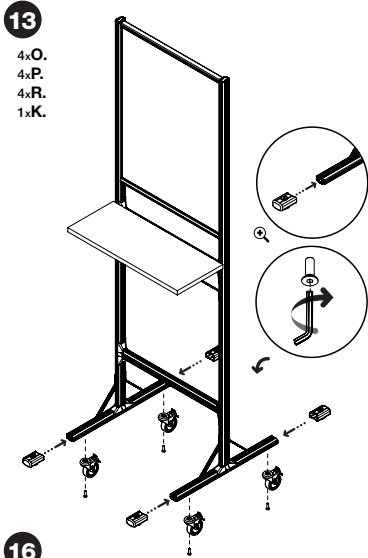
MOBILE GLASS WORKSTATION

INSTRUCTIONS • INSTRUCTIES • ISTRUZIONI • ANLEITUNG • INSTRUCCIONES • INSTRUÇÕES



MOBILE GLASS WORKSTATION

INSTRUCTIONS • INSTRUCTIES • ISTRUZIONI • ANLEITUNG • INSTRUCCIONES • INSTRUÇÕES



| | | | | | | | | | | | |
|-------------|--------------|-------------|-------------|-------------|-------------|-------------|-------------|-------------|--------------|-------------|---------------------|
| A.2x | B.2x | C.2x | D.2x | E.10 | F.6x | G.1x | H.1x | I.2x | J.10x | K.1x | 1000138010989_REV01 |
| | | | | | | | | | | | |
| L.6x | M.29x | N.1x | O.4x | P.4x | Q.1x | R.4x | S.1x | | | | |
| | | | | | | | | | | | |